



# MILITARY FIELD-GRADE UNINTERRUPTIBLE POWER SUPPLY

3000 VA/ 2500 W Output Power	80-265 Vrms 47-65 Hz or 47-800 Hz AC Input Voltage Options	115 Vrms or 230 Vrms 50 Hz, 60 Hz or 400 Hz AC Output Voltage Options	28 Vnom DC Input Voltage Option	Dual 500 W/ Single 2500 W DC Output Voltage Option	>10/13.5/16 Min. Battery Run Time
---------------------------------------	--	---	---------------------------------------	---	--------------------------------------

## Sealed Construction, Ultra Low Weight, Compact Size



DESIGNED & MANUFACTURED IN USA

**N+M REDUNDANCY**  
(optional)

SynQor's Military Field-Grade Uninterruptible Power Supply units are designed for the extreme environmental and demanding electrical conditions of Military/Aerospace applications. SynQor's UPS incorporates field proven high efficiency designs and rugged packaging technologies. This UPS will accept a wide range of input voltage and frequency values while delivering a well-conditioned AC output to the load. Up to three units can be combined to provide higher power, higher voltage and/or multiple output phases. The use of lithium ion batteries permits the lowest profile and lowest weight solution in its power class. Options include a dual 500 W or single 2500 W DC output, a DC input rated for military 28 VDC sources, an electronic breaker on the AC output to permit fault-tolerant parallel operation for higher power and/or N+M redundant systems.

### Combine units for Higher Power, Voltage, 3-Phase AC output, and/or Redundancy

#### Features

- Sealed, weather-proof, shock-proof construction
- Hot swappable internal battery pack (lithium ion)
- >10 minute run-time at full power
- 2500 W (3000 VA) output power
- Full power operation: -20°C to +55°C
- Universal AC input: 80-265 VAC; 47-65 Hz
- Power factor correction at AC input
- Dual input (AC and optional DC)
- True on-line double conversion
- Cold start with no AC or DC input connections
- Pure sinusoidal AC output voltage
- Handles 0.0–1.0 power factor loads and non-linear loads
- Up to 3 units can be combined for higher power, voltage or a 3-Phase AC output
- Up to 32 units can be combined to form higher power fault-tolerant, glitch-free systems, perhaps with N+M redundancy, by ordering with the "AC Output Electronic Breaker" option and the appropriate configuration cable
- User I/O and Configuration signal ports
- 2U high rack mount unit 17.00"W x 22.22"D x 3.40" H
- Low weight: 65 lbs. (including battery)

#### Options

- DC input (28Vnom) for dual source
- UPS-3000-H-2U > 13.5 minutes of run-time
- UPS-3000-M-2U > 16 minutes of run-time and -40°C operation
- Wide-range AC input frequency: 47 Hz to 800 Hz
- 115 Vrms or 230 Vrms AC output
- 50 Hz, 60 Hz, or 400 Hz output
- DC1: Two auxiliary isolated DC outputs (up to 500 W each)
- DC2: Single auxiliary isolated DC output (up to 2500 W)
- Shipboard version with floating neutral wire
- N + M Redundancy

#### Specification Compliance

- MIL-STD-1399-300B - Interface Std for Shipboard Systems
- MIL-STD-810G - Environmental Engineering Considerations
- MIL-STD-461F - Electromagnetic Interference
- MIL-STD-704F - Aircraft Electrical Power Characteristics
- MIL-STD-1275D - Vehicle Electrical Power Characteristics

#### Contents

Technical Specification.....	2
Application Section.....	5
Mechanical Diagrams.....	8
Ordering Information.....	10



# Technical Specification

## INPUT CHARACTERISTICS

### Operating AC Input

Voltage	80-265 Vrms*
Frequency	47-65 Hz
(Extended Option)	(47-800 Hz Optional)
Input Power Factor	>0.98 at 47-65 Hz >0.97 at 400 Hz >0.93 at 800 Hz

Maximum Input Current Continuous	40 A (full load, 85 Vrms)
AC Input Circuit Breaker Rating	50 A
(* Power Derating to 80% below 90 Vrms)	

### Operating DC Input (Optional)

Voltage	22-33 V
Continuous Maximum Input Current	124 A (full load, 22 V)
Transient Maximum Input Current	150 A

## OUTPUT CHARACTERISTICS

Total Output Power Continuous	2500 W (3000 VA)
Maximum DC1 Output Power	1000 W
Maximum DC2 Output Power	2500 W
(Note: Available AC power is reduced by power delivered to the DC output)	

### AC Output

AC Output Waveform	Pure Sinusoidal
Voltage	115 Vrms ± 3% 230 Vrms ± 3%
Frequency	60 Hz ± 0.5% 50 Hz ± 0.5% 400 Hz ± 0.5%
Instantaneous Peak Load Current	52 A (115 Vrms) 26 A (230 Vrms)
Load Power Factor	0-1.0 (leading or lagging)
Total Harmonic Distortion	2% (2000 W resistive load)

### Dual DC1 Output (optional)

Voltage Regulation (Over Load & Temperature)	± 3%
Common Voltage/Power combinations	12 V at 42 A =504 W 15 V at 34 A =510 W 24 V at 21 A =504 W 28 V at 18 A =504 W 40 V at 12.5 A =500 W 50 V at 10 A =500 W

### DC2 Output (optional)

Voltage Setpoint	± 3%
------------------	------

### Droop Share (Output droops vs. load to allow passive sharing among modules.)

### 24 V Option

Voltage Regulation (Over Load & Temperature)	-15%
	26 V at 0 A 22 V at 100 A =2200 W

### 28 V Option

Voltage Regulation (Over Load & Temperature)	-13%
	30 V at 0 A 26 V at 96.2 A =2500 W

### 50 V Option

Voltage Regulation (Over Load & Temperature)	-10%
	52 V at 0 A 48.5 V at 41.3 A =2000 W

Specifications subject to change without notice.

## ENVIRONMENTAL CHARACTERISTICS MIL-STD-810G

### Temperature Methods 501.5, 502.5

Operating Temperature	-20°C — +55°C
Storage Temperature	-40°C — +65°C

### Altitude Method 500.5

Operating	0 - 18,000 ft
Non-operating	0 - 40,000 ft

### Environmental Tests

Shock/Drop	Method 516.6, Procedures 1,4,6
Temperature Shock	Method 503.5, Procedure 1
Vibration	Method 514.6, CAT 5 & 24
Fungus	Method 508.6
Salt Fog	Method 509.5
Sand and Dust	Method 510.5, Procedures 1,2
Rain	Method 506.5 Procedure 1
Humidity	Method 507.5 Procedure 2
Mechanical Vibrations of Shipboard Equipment	Method 528 Procedure 1

## RELIABILITY CHARACTERISTICS MIL-HDBK-217F

MTBF	50 kHrs	MIL-217F Ground Benign, Ta=25 °C
------	---------	----------------------------------

## ELECTROMAGNETIC CAPABILITY MIL-STD-461F

CE101	30 Hz - 10 kHz
CE102	10 kHz - 10 MHz
CS101	30 Hz - 150 kHz
CS106	10 kHz - 40 GHz
CS114	10 kHz - 200 MHz
CS116	10 kHz - 100 MHz
RE101	30 Hz - 100 kHz
RE102	10 kHz - 18 GHz
RS101	30 Hz - 100 kHz
RS103	2 MHz - 40 GHz

## MECHANICAL CHARACTERISTICS

### Standard 2U Battery Pack

Chassis Size	17.00"W x 22.22"D x 3.40"H
Case Material	Aluminum
Total Weight	65 lbs. (with chassis & battery)

### Connectors

AC Input Connector	CA02COME22-2PB
DC Input Connector	CA02COME24-10PB
AC Output Connector	CA02COME22-2SB
DC1 Output Connector	CA02COME22-22SB
DC2 Output Connector	CA02COME24-10SB
User I/O Ports	HD DB15 Female
Configuration I/O Port	HD DB15 Male
Ethernet Port	Amphenol RJF22N00, Code B

### Cooling Exhaust Fans

Sound Pressure Level (SPL)	54 dB(A)
Air Flow	0.67(m³/min) 23.7 CFM

Four fans in system, above specs are for each fan separately.

## Technical Specification

### High Density DB15 Female (15 Pin Connector)

Signal	PIN	Function
TX	2	RS232 DCE Device Transmit
RX	3	RS232 DCE Device Receive
GND	4, 5	Ground reference for all digital inputs and outputs
LOW_BATT	6	Open collector output where "low" indicates battery charge level <10%
ACIN_GOOD	7	Open collector output where "low" indicates AC Input voltage is within range
+5V	8	Vout with minimal current drive usable as a pull-up voltage for open collector output signals. Load must be <35 mA
ON_BATT	9	Open collector output where "low" indicates that the UPS is running on battery power.
REMOTE_START	12	Drive this line "high" with ≥5 mA to enable UPS outputs
SHUTDOWN	13	Drive this line "high" with ≥5 mA to disable UPS outputs
OUT_OK	14	Open collector output where "low" indicates AC Output voltage is within range
OVER_TEMP	15	Open collector output where "low" indicates that the UPS is at or above its maximum temperature



### Safety & Qualifications

IEC 62133	Safety requirements for portable secondary sealed cells.
ST/SG/AC.10/11/Rev.5	UN Recommendations on the Transport of Dangerous Goods
UL 1642	Lithium Batteries
IEC 62040-1	General and safety requirements for UPS (Does not apply to 400 Hz operation)
IEC 62040-2	UPS Electromagnetic compatibility (Category C4)

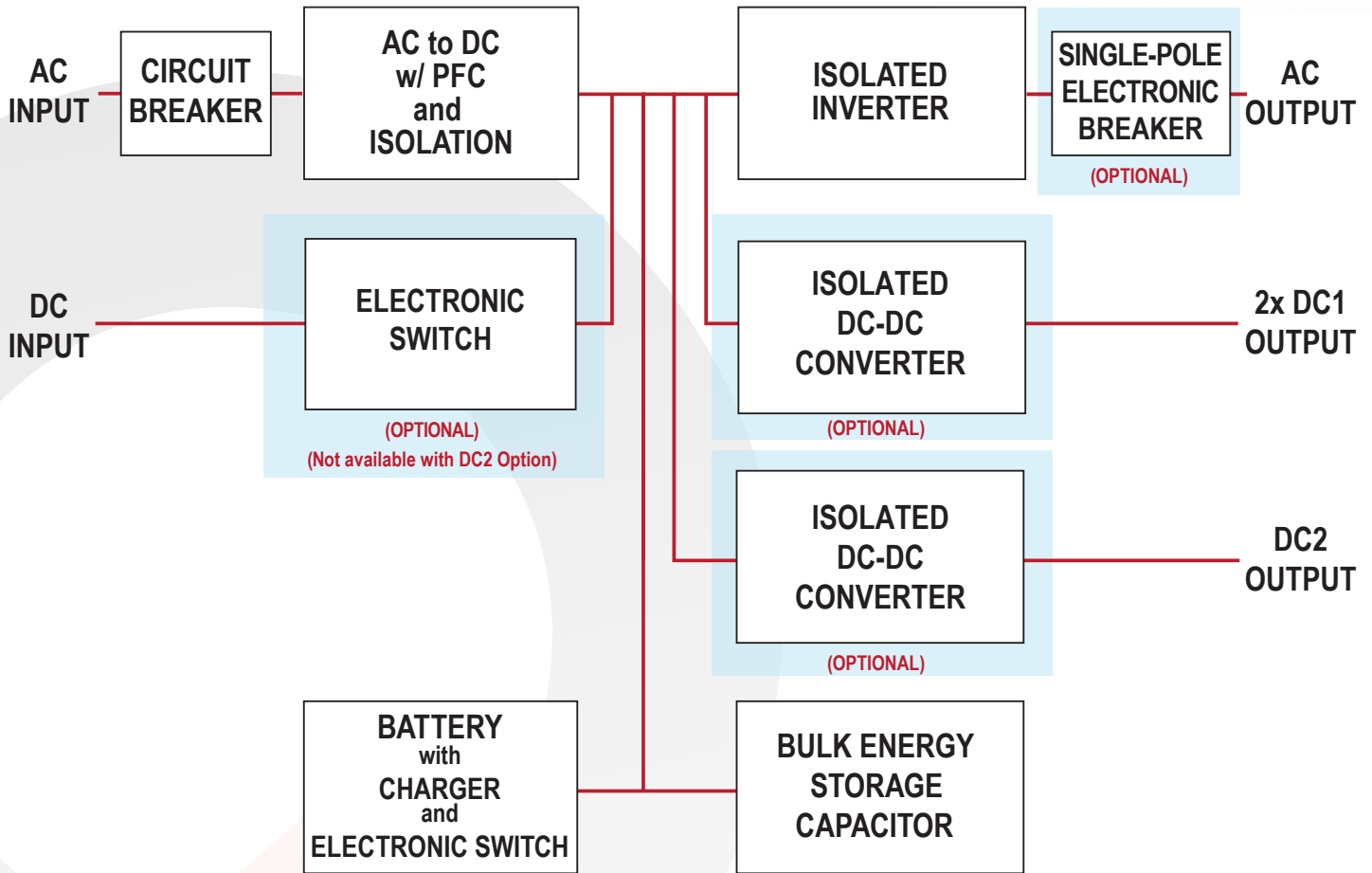
### LITHIUM-ION BATTERY CHARACTERISTICS

UPS-3000-S-2U, BAT-0200 Pack Run Time		
2500 W : 10 min	2000 W : 13 min	1250 W : 21 min
UPS-3000-H-2U, BAT-0400 Pack Run Time		
2500 W : 13.5 min	2000 W : 18 min	1250 W : 27 min
UPS-3000-M-2U, BAT-0400 Pack Run Time		
2500 W : 16 min	2000 W : 22 min	1250 W : 34 min
Recharge Time (to 90% charge)		
UPS-3000-[S,H,M]-2U, BAT-0200 or BAT-0400		
Total Output Power	< 2000 W	2 hrs
Temperature Range for Recharge: 0°C to 45°C		
Internal heaters maintain battery temperature above 0°C when input power is present.		
Battery charging only enabled below +45°C.		
UPS-3000 uses 2 1U Battery Packs		





# Block Diagram





## Application Section

### “R” Option: AC Output Electronic Breaker

#### Fault Tolerant, Glitch-Free Operation

The “R” option adds an electronic breaker to the AC output of the UPS to permit fault-tolerant, glitch-free parallel operation. With this option, when several UPS units are connected in parallel at their AC outputs and one unit has an internal fault that might otherwise have pulled down the AC output bus, the electronic breaker will disconnect the failed unit so that the remaining paralleled units can continue to power the bus. This allows the system to be “fault-tolerant”. The disconnect occurs very quickly so that the AC output voltage will remain within its specified parameters as long as the remaining paralleled units can deliver the total load power. This allows the system to continue running “glitch-free”.

The electronic breaker is a single-pole breaker present in the hot-side AC output wire only. The neutral AC output wire is left floating from the UPS chassis to facilitate the paralleling of units into various configurations.

#### Expanded Paralleling

The “R” option also increases the total number of UPS units that can be paralleled to a maximum of 32. AC output current sharing among the paralleled units is accomplished with a high speed digital configuration cable. The units will share the total load current to within  $\pm 2\%$ , and for a split-phase or 3-phase system the AC voltages and AC currents will have phase balance within  $\pm 2$  degrees.

#### N+M Redundancy

Besides permitting a higher number of UPS units to be paralleled, the “R” option also makes it possible to set up N+1, or more generally N+M, redundant systems with a total of up to 32 UPS units. In such a system the failure of one unit (or M units) will not cause the overall system to fail. A failed unit can then be replaced to return the redundancy level to its original design. The replacement unit can be inserted into a live, operating system with proper precautions, but for safety reasons it is recommended that the system be turned off first.

#### Output Power Cable Connection

UPS systems are formed by first connecting the neutral wires of all the individual units together. For single phase systems, the hot wires are also connected together to form a single bank of UPS units. Split-phase systems are formed by connecting the hot output wires into two banks. One bank will have its output voltage phase-shifted  $180^\circ$  from the other. The phase-shift is determined by the configuration cable. Similarly, 3-phase systems are formed by grouping the hot output wires into three banks, each bank having its output voltage phase-shifted by  $120^\circ$ . Again, the phase shift is determined by the configuration cable. Since 3-phase systems are formed by connecting the neutral wires together and phase shifting the hot wires, the AC outputs must be wye-connected to form 3-phase systems. Delta connection of UPS units is not supported. However, once a 3-phase system is formed, loads may be connected as wye or delta.

The diagrams on the following page give examples of how multiple UPS units with the “R” option can be connected to create higher output power single-phase, split-phase, and 3-phase AC systems that will have N+M redundancy as long as N units are sufficient for the maximum load power per phase. Note, again, that the maximum total number of units that can be arranged in any of these configurations is 32.

#### Configuration Cables

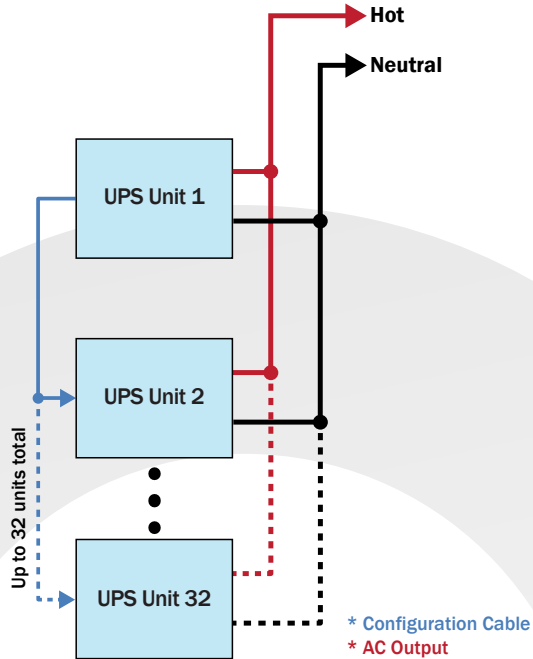
Any system of “R” option UPS units requires a specific configuration cable that defines the arrangement of UPS units in the system. The configuration cable determines the phase shift for split-phase and 3-phase systems. The cable also provides high speed digital communication for current sharing on each phase.

Configuration cables for two parallel units and three parallel units in a single-phase system are available as standard products. Please contact the factory to purchase configuration cables for systems larger than three UPS units, or systems that have split-phase or 3-phase AC outputs.

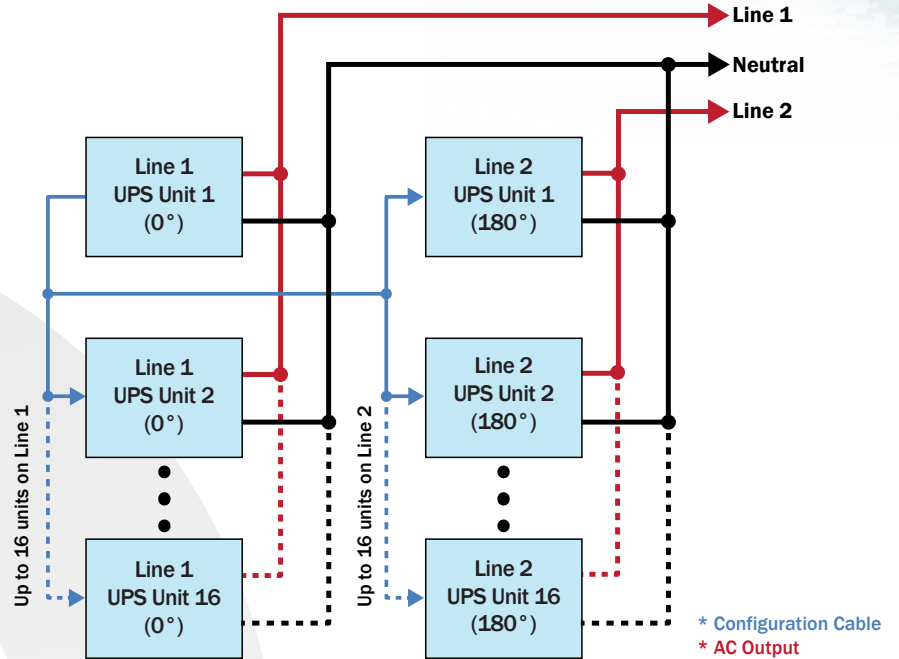
Configuration cables are required for paralleling the AC output only. The DC2 output relies on droop share for paralleling, and does not require a configuration cable. See the “Ordering Information” page for DC2 output options with droop share that can be placed in parallel.

## Application Figures

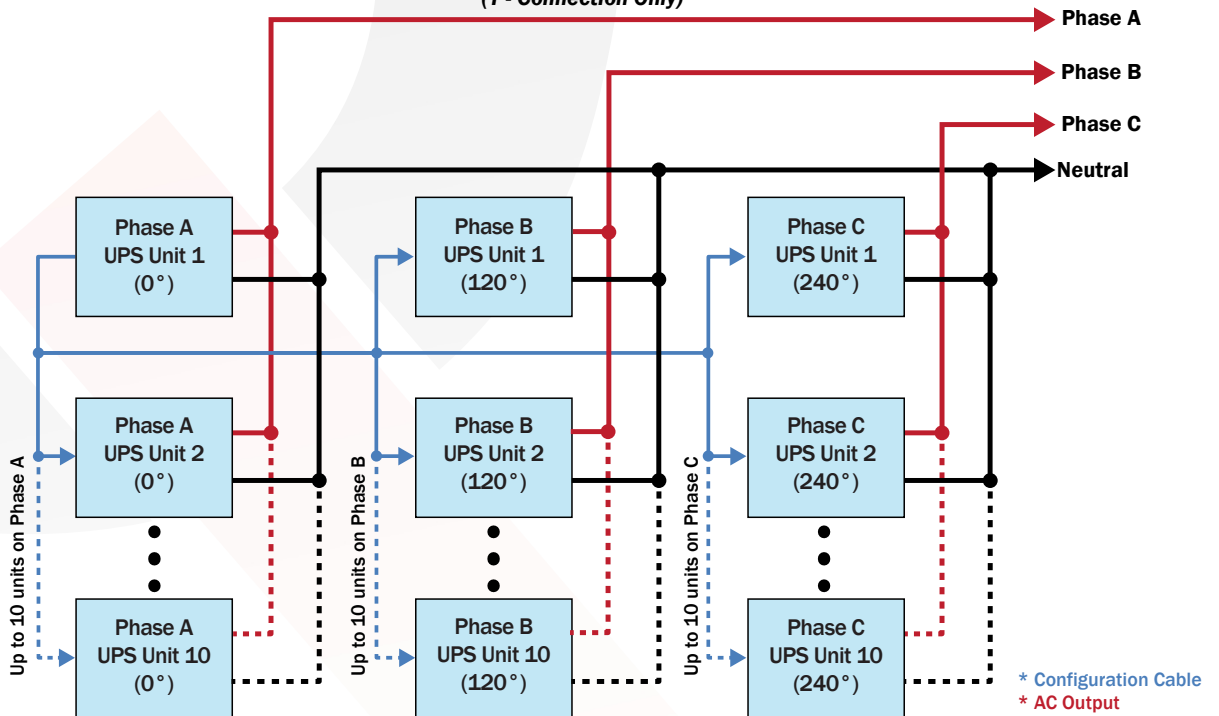
### Single Phase Output System



### Split Phase Output System



### 3-Phase Output System (Y - Connection Only)



\* Contact factory for system specific configuration cables.



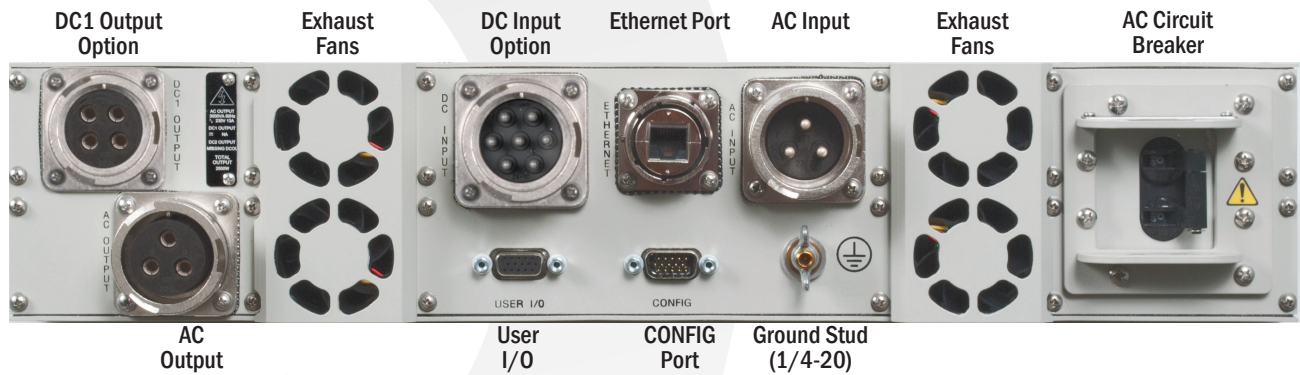


# Mechanical Features

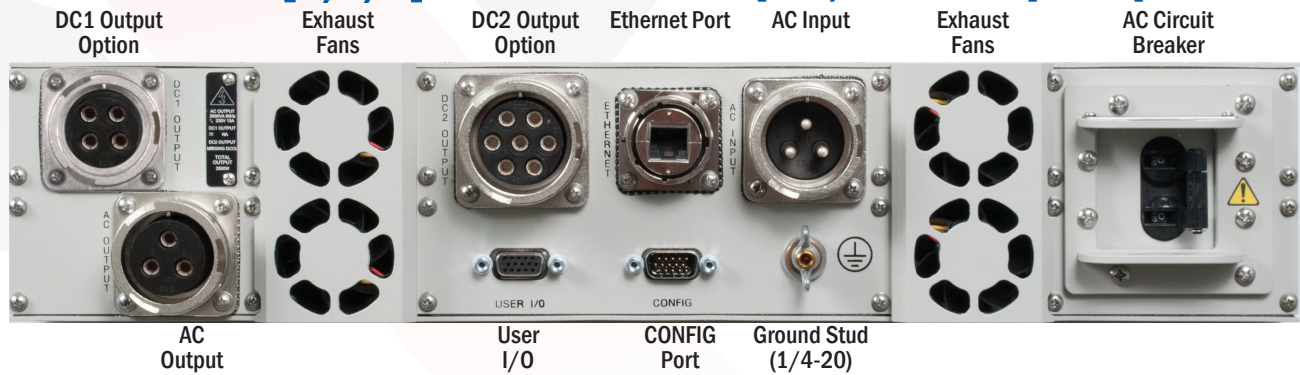
## UPS-3000-[S,H,M]-2U



## UPS-3000-[S,H,M]-2U with DC Input / DC1 Output Options

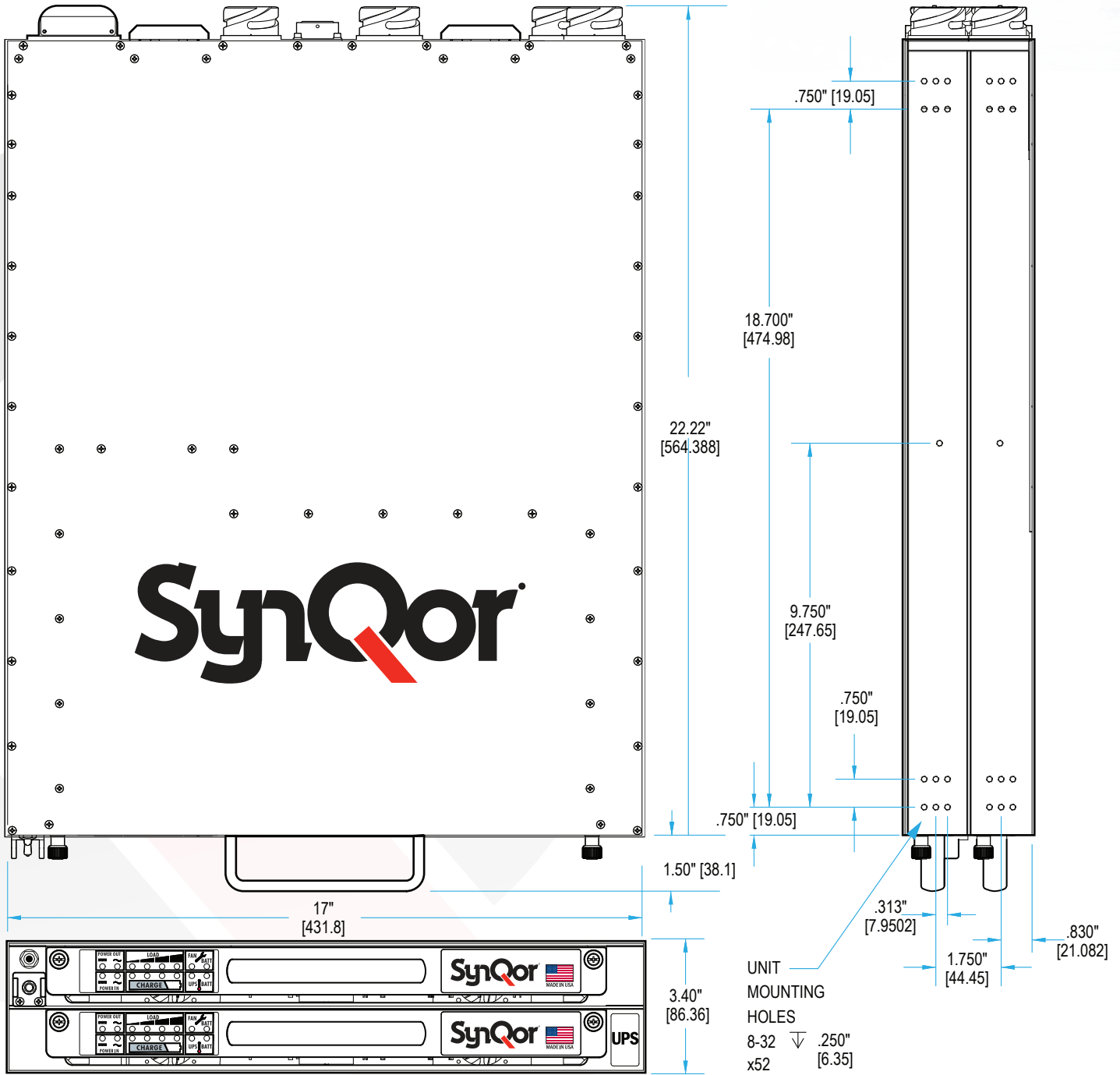


## UPS-3000-[S,H,M]-2U with DC1 Output / DC2 Output Options





# Mechanical Diagram 2U



**Note:**

- 1) ALL DIMENSIONS IN INCHES [mm]
- TOLERANCES: X.XXIN +/- 0.02 [0.5]
- X.XXXIN +/- 0.010 [0.25]





## Accessory Options

Replacement Battery Packs		3000S Series
<b>1U</b> ; 10 lbs., >10 Min Full Load Run Time - Two required per UPS		<b>BAT-0200-S-1U-000</b>
<b>1U</b> ; 11.8 lbs., >13.5 Min Full Load Run Time - Two required per UPS		<b>BAT-0400-H-1U-000</b>
<b>1U</b> ; 11.8 lbs., >16 Min Full Load Run Time - Two required per UPS		<b>BAT-0400-M-1U-000</b>
Rail Kits		
Slide Rail Kit <sup>2</sup> - Two required per UPS		<b>SYN-9002</b>
Fixed Bracket Kit <sup>3</sup>		<b>SYN-9033</b>
Power Cables (10' long)		
AC Input (Hardwire)		<b>SYN-9105</b>
AC Output (115 Vrms/230 Vrms) (Hardwire)		<b>SYN-9135</b>
DC Input (Hardwire)		<b>SYN-9155</b>
DC1 Output (Hardwire)		<b>SYN-9173</b>
DC2 Output (Hardwire)		<b>SYN-9178</b>
AC Output Power Strip (Circular Connector)		
6 NEMA Receptacles with Breaker (Rackmount & 3' Cable)		<b>SYN-9236</b>
Rackmount Transit Cases		
Transit Case, 3U, Gray, with Casters <sup>3</sup>		<b>SYN-9410</b>
Transit Case, 3U, Gray, No Casters <sup>3</sup>		<b>SYN-9412</b>

### Notes:

- 1: Other Options also available, check the website or contact power@synqor.com for further information.
- 2: Slide Rail Kit (SYN-9002) is not recommended for transit and ruggedized use.
- 3: Fixed Bracket Kit (SYN-9033) with Transit Case (SYN-9410 or SYN-9412) is required for transit and ruggedized use (qualified to pass MIL-STD-810G Loose Cargo and Transit Drop requirements).



Optional Rackmount Transit Case



6 NEMA Receptacles with Breaker



User Communications (I/O) Cables	
HD DB15M to DB9F (RS232, 10')	<b>SYN-9301</b>
HD DB15M to DB15M (RS232 and Digital I/O, 10')	<b>SYN-9305</b>
Mil-Circular to RJ45 (Ethernet, 10')	<b>SYN-9321</b>
Configuration Cables For AC Output	
HD DB15F to DB15F (2 Units Parallel, 3')	<b>SYN-9311</b>
HD DB15F to DB15F (3 Units Parallel, 6')	<b>SYN-9315</b>
HD DB15F to DB15F (2 Units Series, 3')	<b>SYN-9313</b>
HD DB15F to DB15F (3 Units 3-Phase, 6')	<b>SYN-9317</b>
R-Option Configuration Cables For AC Output*	
HD DB15F to DB15F (2 Units, Expanded Paralleling, 3')	<b>SYN-9341</b>
HD DB15F to DB15F (3 Units, Expanded Paralleling, 6')	<b>SYN-9343</b>
HD DB15F to DB15F (4 Units, Expanded Paralleling, 9')	<b>SYN-9344</b>

\* Contact factory for additional configuration cables.



# Ordering Information

Base Models				
Model Number	Power	Battery Run-Time @Full Power (80% Power)	Height (W x D x H)	Weight
<b>UPS-3000-S-2U</b> (Qty. 2 BAT-0200-S Packs)	<b>2500 W 3000 VA</b>	<b>&gt;10 min.</b> (>13 min.)	<b>2U</b> (17.00" x 22.22" x 3.40")	<b>65 lbs.</b>
<b>UPS-3000-H-2U</b> (Qty. 2 BAT-0400-H Packs)	<b>2500 W 3000 VA</b>	<b>&gt;13.5 min.</b> (>18 min.)	<b>2U</b> (17.00" x 22.22" x 3.40")	<b>68.6 lbs.</b>
<b>UPS-3000-M-2U</b> (Qty. 2 BAT-0400-M Packs)	<b>2500 W 3000 VA</b>	<b>&gt;16 min.</b> (>22 min.)	<b>2U</b> (17.00" x 22.22" x 3.40")	<b>68.6 lbs.</b>

Base Models	Options							Additional Options		Options	
	AC Input Freq	AC Output Voltage	AC Output Neutral Wire	AC Output Set Point Freq	DC Input / DC2 Output	DC1 Output		AC Input Freq		AC Output Voltage	
UPS-3000-S-2U- UPS-3000-H-2U- UPS-3000-M-2U-	L W	1 2	G F R	5 6 4	S D M R Y	00 12 15 24 28 40 50		-E	00 CE	AC Input Freq	L 47-65 Hz W 47-800 Hz
										AC Output Voltage	1 115 Vrms 2 230 Vrms
										AC Output Neutral Wire	G Grounded F Floating* R AC Output Electronic Breaker*
										AC Output Set Point Freq	5 50 Hz 6 60 Hz 4 400 Hz
										DC Input / DC2 Output	S Not Installed D DC Input M DC2 Out 24 VDC with Droop Share R DC2 Out 28 VDC with Droop Share Y DC2 Out 50 VDC with Droop Share
										DC1 Output	00 None 12 12 V 15 15 V 24 24 V 28 28 V 40 40 V 50 50 V
										Additional Options	-E Ethernet/SNMP with Configuration Loading 00 No CE Marking CE CE Marking

Not all combinations make valid part numbers, please contact SynQor for availability. See the Product Summary web page for more options.

**\*Notes:**

Order "F: Floating" option when configuring the AC output for multi-unit combinations of up to 3 units.

Order "R: AC Output Electronic Breaker" option for fault-tolerant, glitch-free parallel systems of up to 32 units with N+M redundancy. The AC output neutral wire will not be connected to the chassis.

**Examples:**

**UPS-3000-S-2U-L1G6D28-E00, UPS-3000-S-2U-L2G5S00-E00**  
**UPS-3000-S-2U-L2G5S00-ECE** (230 V output with CE marking)

**Contact SynQor for further information and to order:**

Phone: 978-849-0600 Toll Free: 888-567-9596 Fax: 978-849-0602  
 E-mail: power@synqor.com Web: www.synqor.com  
 Address: 155 Swanson Road, Boxborough, MA 01719 USA

**WARRANTY**

SynQor offers a 1 year limited warranty. Complete warranty information is listed on our website or is available upon request from SynQor.

**PATENTS**

SynQor holds numerous U.S. patents, one or more of which apply to most of its power conversion products. Any that apply to the product(s) listed in this document are identified by markings on the product(s) or on internal components of the product(s) in accordance with U.S. patent laws. SynQor's patents include the following:

7,050,309 7,765,687 7,787,261  
 8,149,597 8,644,027